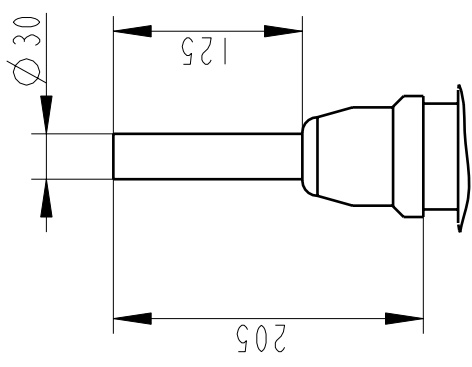
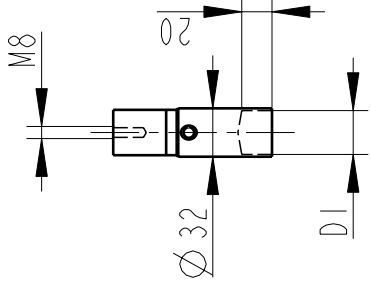


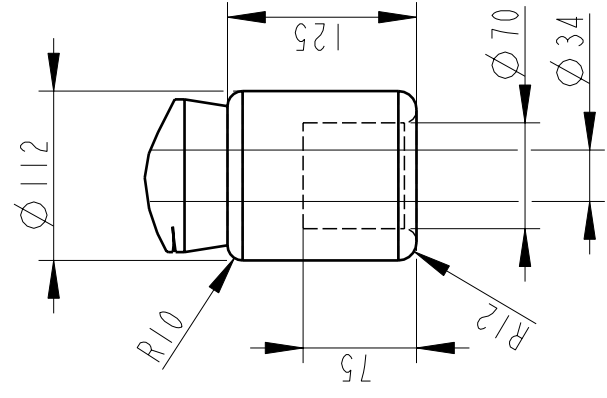
OUTER TERMINAL



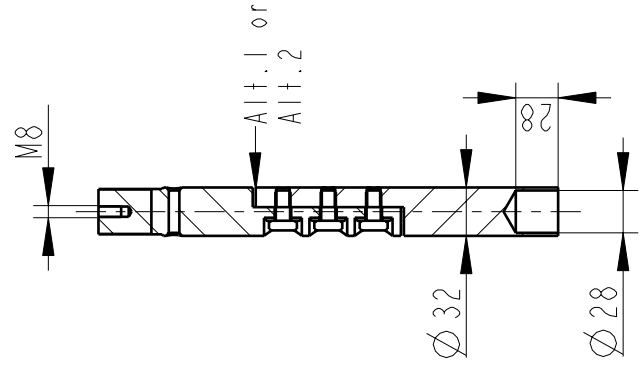
INNER TERMINAL FOR STRANDED CABLE



END SHIELD



SOLID ROD CONNECTOR



The solid rod can be divided either:
 Alt. 1: 20mm below the bushing flange or
 Alt. 2: 20mm below the upper end
 of the bottom porcelain

Bushing Data:

Rated Voltage	52 kV
Phase to Ground Voltage	52 kV
Dry Lightning Impulse 1,2/50µs	250 kV
Wet power frequency AC	105 kV
Routine test lmin dry 50Hz	120 kV
Rated Current	1250 A
Creepage Distance	1500±50 mm
Creepage Distance Protected	580 mm
Mass	30 kg

Ordering Data:

BUSHING	COLOUR AIR INSULATOR
LF123168-M	BROWN
-N	LIGHT GREY
OUTER TERMINAL	
LF 170 002-B	Cu, Ø 30, L=125
LF 170 001-B	Al, Ø 30, L=125
OTHER TYPES ON REQUEST	
INNER TERMINAL FOR STRANDED CABLE	
For brazing	Conductor area DI
LF 170 011-T	up to 285mm ² Ø 29
LF 170 011-V	Undrilled with pilot hole Ø 5
SOLID ROD CONNECTOR	
LF 170 052 -BF for Alt.1	
LF 170 052 -BD for Alt.2	

ABB Components Ludvika, Sweden	
No.	U / S / AC
U / S / AC	kv Ir
M	kg L mm V
C1	pf Tan δ
C2	pf Tan δ

Based on	Reg. No.
Prepared	Responsible department
LÖVNORD	COM/BK
Approved	Take over department
Johansson	Database
Design engineering review	
Hedlund	

Title	Language
GOB 250-1250-0.3	I(1)
WITH OIL LEVEL GAUGE	
LONG END SHIELD	
Document No.	Page
2751369-178	I(1)

ABB ABB Components

We reserve all rights in this document and in the information contained therein. Reproduction, use or disclosure to third parties without express authority is strictly forbidden. © ABB